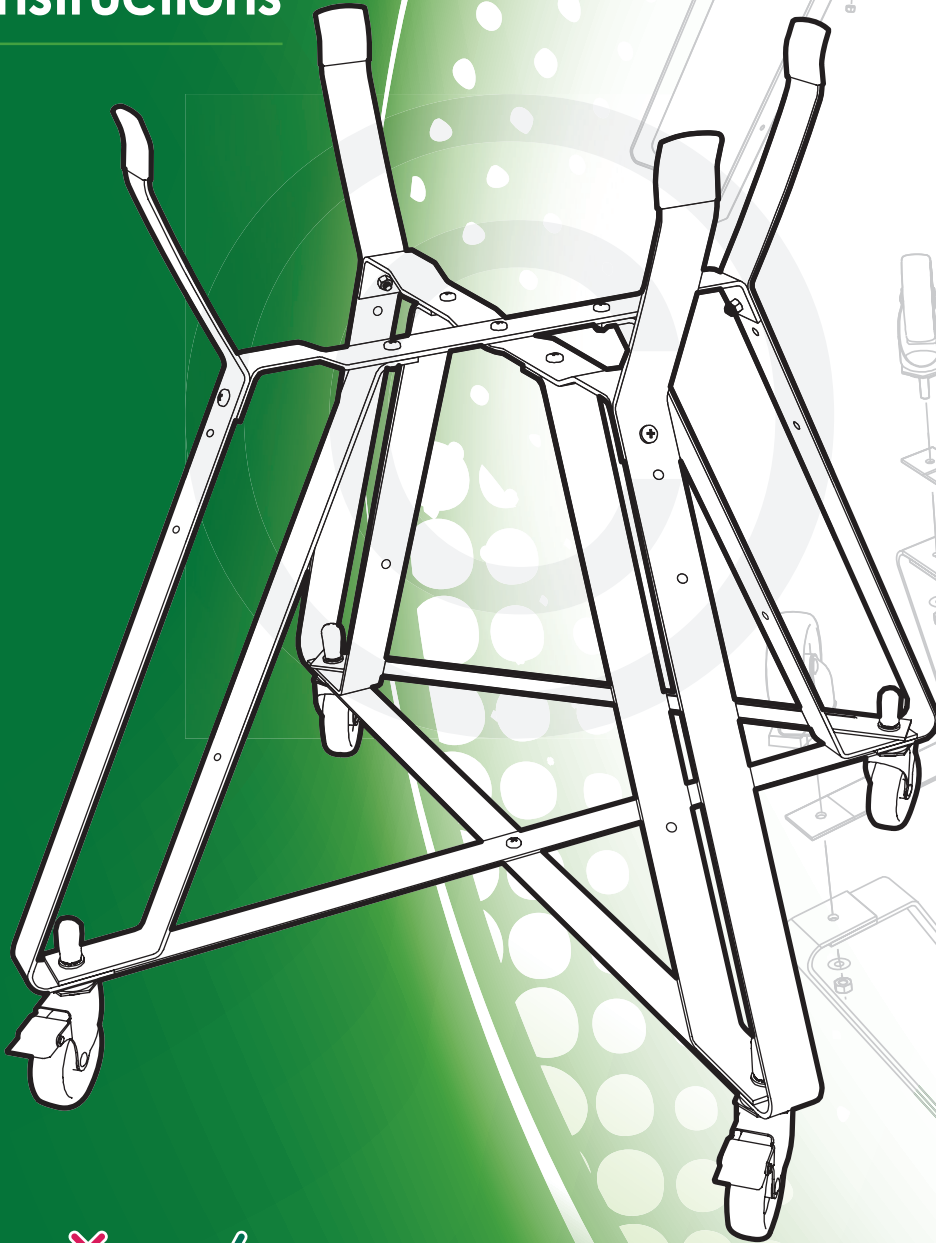
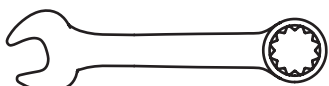
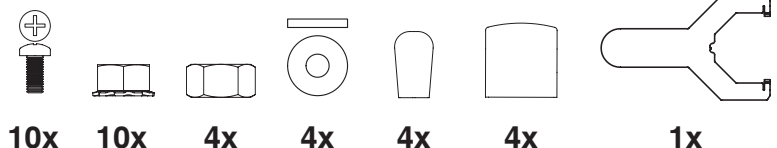
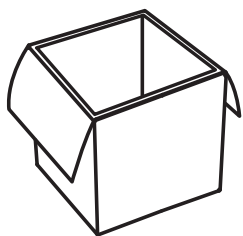




XXL XL L M S MX MN

# EGG<sup>®</sup> Nest<sup>®</sup> Assembly Instructions





7/16" + 9/16"  
(Nr. 11 + 15)



[www.biggreenegg.com/assembly-videos](http://www.biggreenegg.com/assembly-videos)

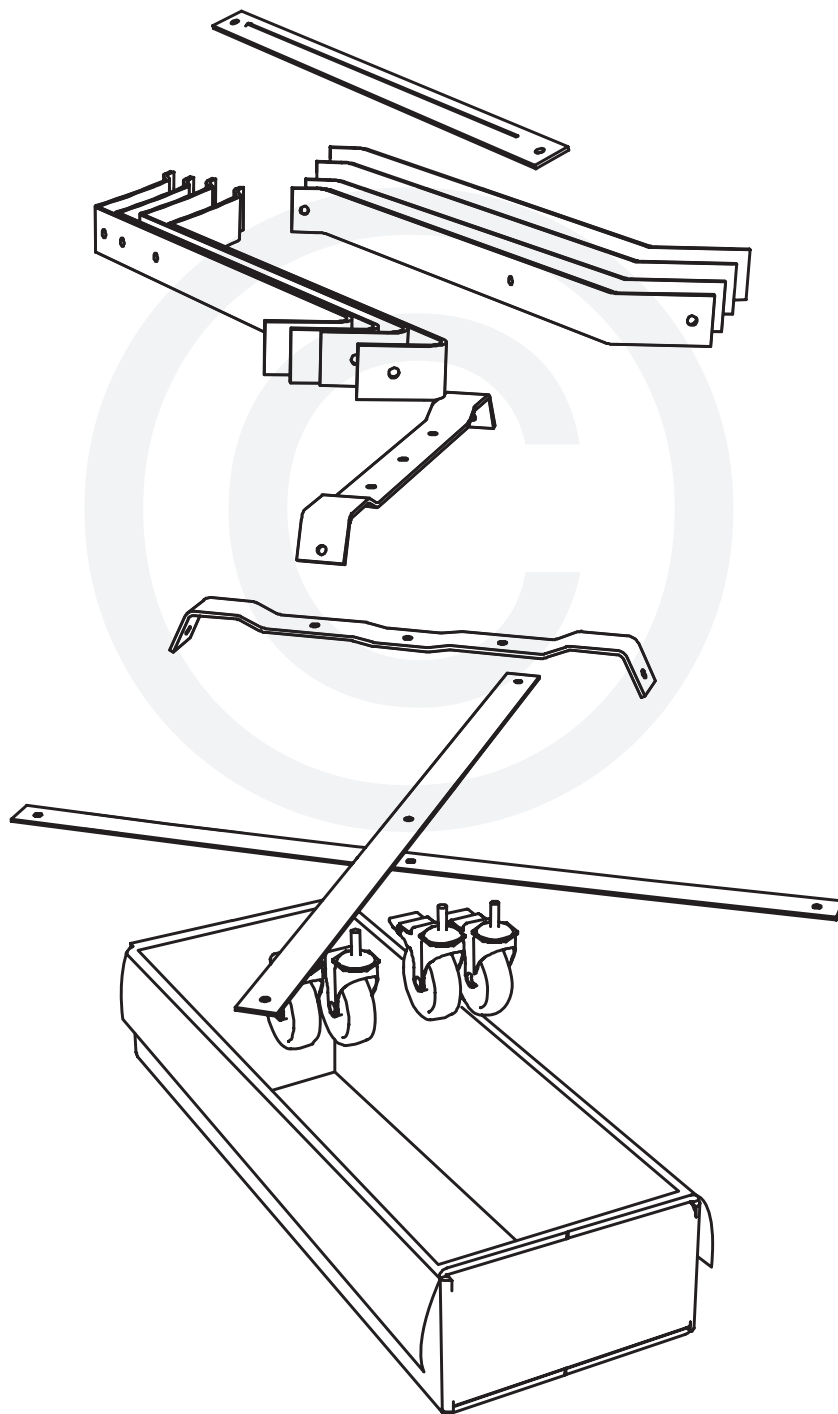
 [www.biggreenegg.com](http://www.biggreenegg.com)

 [www.biggreenegg.ca](http://www.biggreenegg.ca)

 [www.biggreenegg.eu](http://www.biggreenegg.eu)

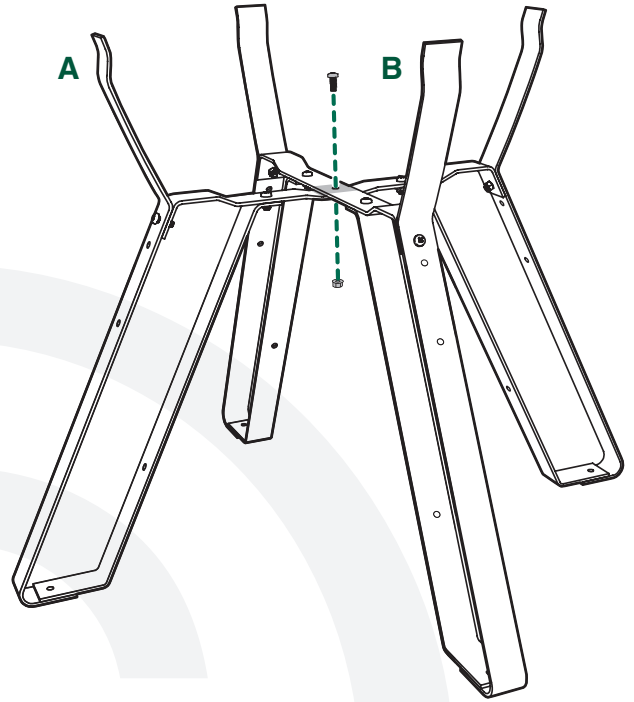
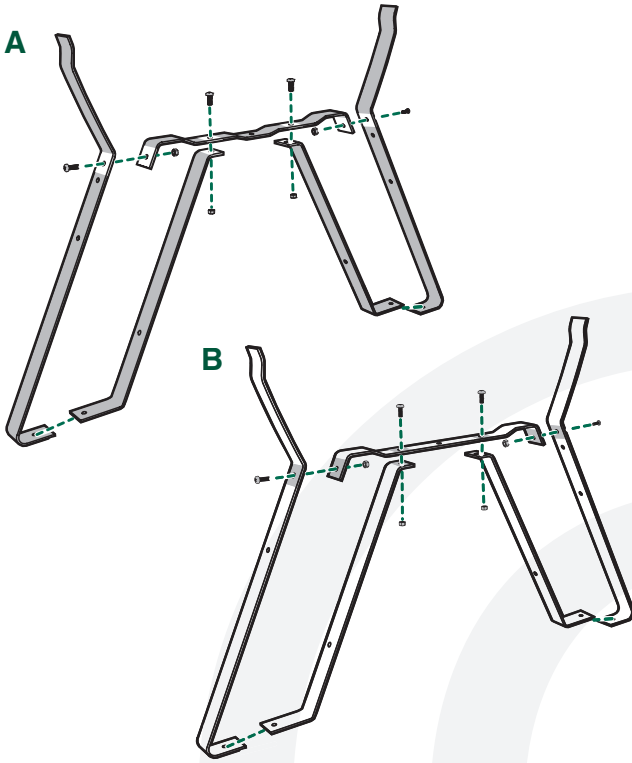
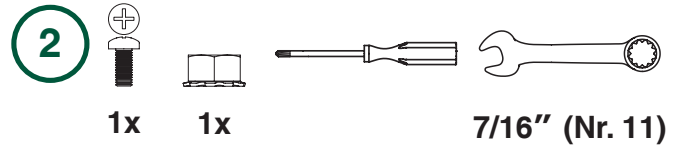
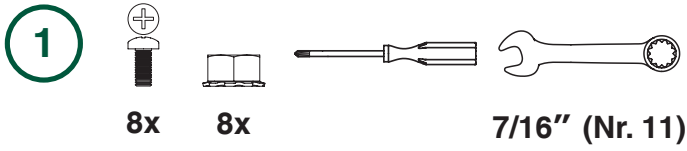
 [www.biggreenegg.co.uk](http://www.biggreenegg.co.uk)

 [www.biggreenegg.co.za](http://www.biggreenegg.co.za)



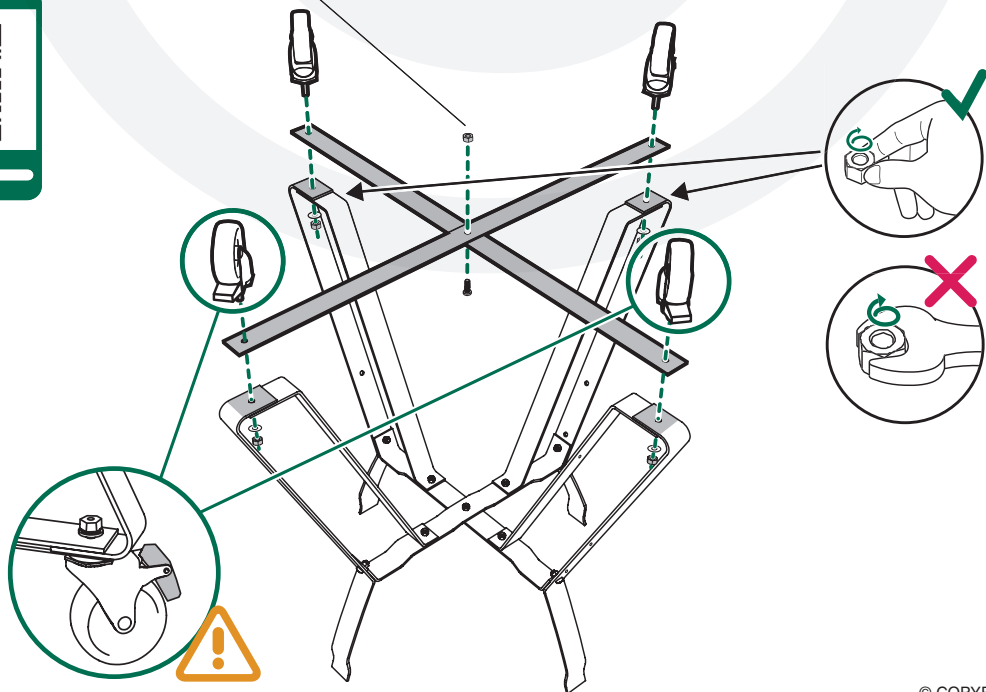
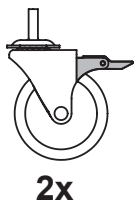
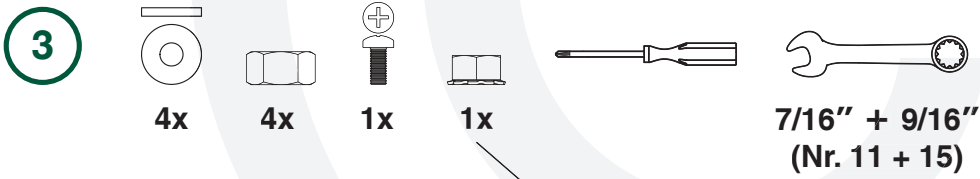
CAUTION: SEE SAFETY NOTICE  
[www.biggreenegg.com/safetytips](http://www.biggreenegg.com/safetytips)

© COPYRIGHT BIG GREEN EGG INC.



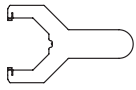
© COPYRIGHT BIG GREEN EGG INC.

© COPYRIGHT BIG GREEN EGG INC.



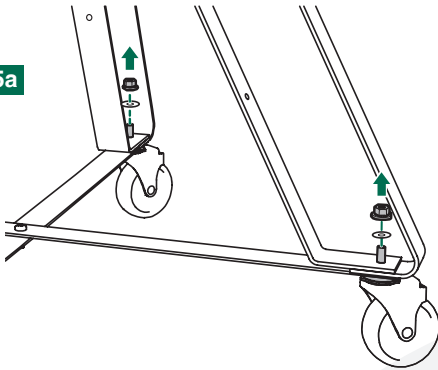
© COPYRIGHT BIG GREEN EGG INC.

4

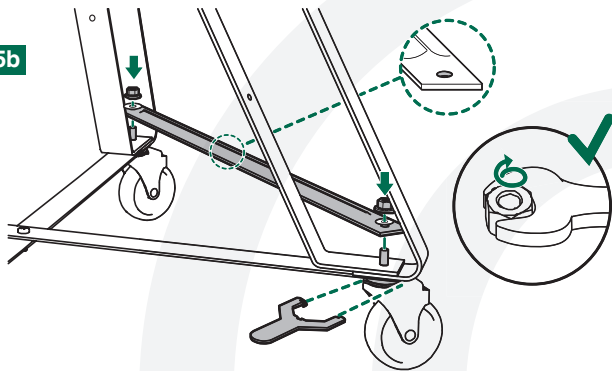


9/16" (Nr. 15)

5a



5b



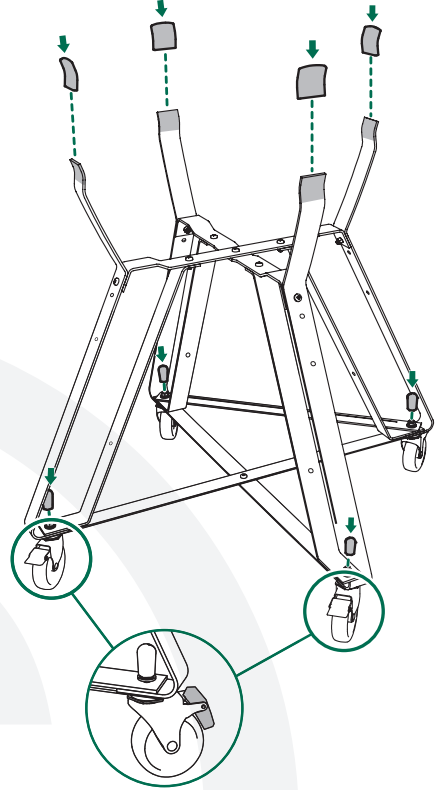
5



4x



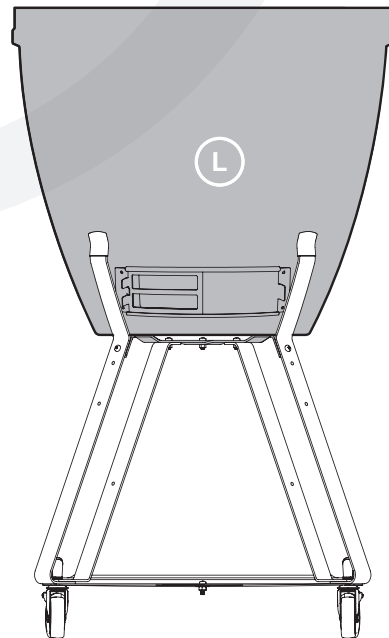
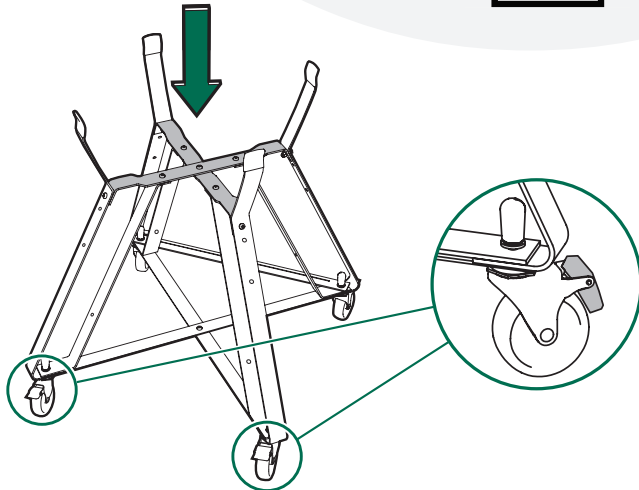
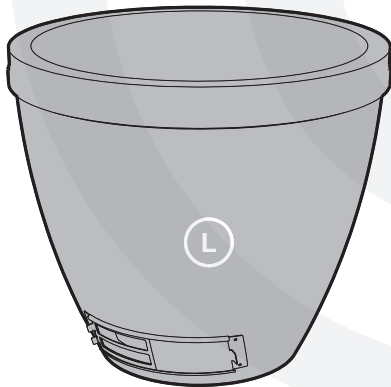
4x



© COPYRIGHT BIG GREEN EGG INC.

© COPYRIGHT BIG GREEN EGG INC.

6



© COPYRIGHT BIG GREEN EGG INC.